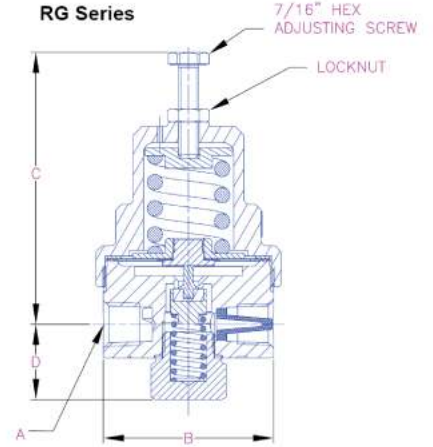


## Application

The RG series cryogenic regulators are primarily designed to maintain pressure on cryogenic liquid within cryogenic containers. They may also be used in cryogenic lines, vaporizer and converter applications. They are especially useful in installations where space and cost limitations are important.

## Features

- All parts are copper alloy (brass), PTFE and stainless steel—materials selected specifically for compatibility with cryogenic temperatures down to -320°F.
- Body and bonnet machined from solid brass bar stock.
- PTFE seat helps assure a positive shut-off at cryogenic temperatures down to -320°F.
- High and low pressure regulators are the same compact size—designed to fit in close quarters.
- Interchangeable with existing cryogenic regulator units.
- Inlet filter helps prevent foreign material from entering the regulator.
- Locknut is provided to maintain adjusting screw setting.
- Maximum inlet pressure of 550 PSIG.
- Cleaned for liquid oxygen service per CGA G-4.1
- 100% Factory Tested



## Materials

Body .....	Brass
Bonnet .....	Brass
Seat Retainer.....	Brass
Seat .....	PTFE
Springs .....	Stainless Steel
Diaphragm Gasket.....	PTFE
Backcap Gasket .....	Copper
Diaphragm .....	Bronze

## Ordering Information

Part Number	Inlet / Outlet Connections (F.NPT) A	Width B	C	D	Pressure Setting (PSIG)	Operating Range (PSIG)
RG125A	1/4"	2 1/16"	3"	1"	125	25-250
RG300A					300	125-350

\*Contact factory for additional settings.

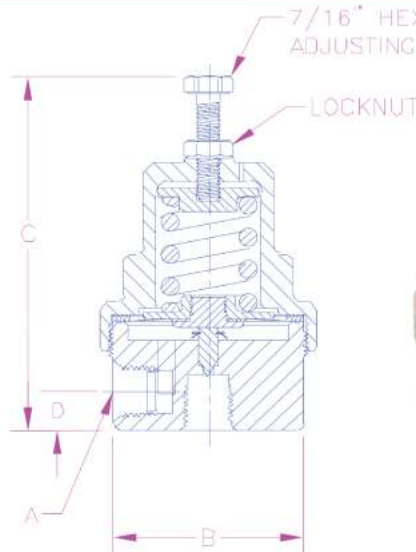
# Cryogenic Economizers ECL Series

## Application

The ECL series cryogenic economizers are primarily designed to utilize the gas pressure in a liquid cryogenic cylinder that would otherwise be lost to the atmosphere through the pressure relief valve. They may also be used in cryogenic lines, vaporizer and converter applications. They are especially useful in installations where space and cost limitations are important.

## Features

- All parts are copper alloy (brass), PTFE and stainless steel—materials selected specifically for compatibility with cryogenic temperatures down to -320°F.
- Body and bonnet machined from solid brass bar stock.
- The ECL Series utilizes a stainless steel needle seat design that provides a very sensitive flow control at lower pressure settings.
- High and low pressure economizers are the same compact size—designed to fit in close quarters. The compact high pressure design has no loss of capacity.
- Interchangeable with existing cryogenic economizer units.
- Inlet filter helps prevent foreign materials from entering the economizer.
- Locknut is provided to maintain adjusting screw settings.
- Maximum inlet pressure of 550 PSIG.
- Cleaned for liquid oxygen service per CGA G-4.1
- 100% Factory Tested



ECL Series

## Materials

Body .....	Brass
Bonnet .....	Brass
Seat .....	Stainless Steel
Springs .....	Stainless Steel
Gasket .....	PTFE

## Ordering Information

Part Number	Inlet / Outlet Connections (F.NPT) A	Width B	C	D	Pressure Setting (PSIG)	Operating Range (PSIG)
ECL22	1/4"	2 1/16"	3"	3/8"	22	10-150
ECL70					70	
ECL140					140	
ECL325					325	

Address: Unit 11, 11/F, Tower One, Ever Gain Plaza, 88 Container Port Road, Kwai Chung, NT, Hong Kong

Website: www.dmc-gas.com Email: dmcsaleshk@dmc-gas.com.hk

Tel: +852 2851 2121

Fax: +852 2851 2129

# RegO Combination Pressure Build/Economizer Regulator CBH & CBC Series

## Application

Combines the function of RG and ECL Pressure Building and Economizer functions in one compact unit. Available in Chart and Taylor-Wharton piping geometries and a variety of pressure ratings.

## Features

- All parts are copper alloy (brass, PTFE and stainless steel materials selected specifically for compatibility with cryogenic temperatures down to -320° F.
- Body and bonnet machined from solid brass bar stock.
- PTFE seat helps assure a positive shut-off at cryogenic temperatures down to -320° F.
- High and low pressure regulators/economizers are the same compact size designed to fit in close quarters.
- Interchangeable with existing cryogenic regulator units.
- Inlet filter helps prevent foreign material from entering the regulator.
- Locknut is provided to maintain adjusting screw setting.
- Maximum inlet pressure of 550 PSIG
- Cleaned for liquid oxygen service per CGA G-4.1
- 100% Factory Tested

## Materials

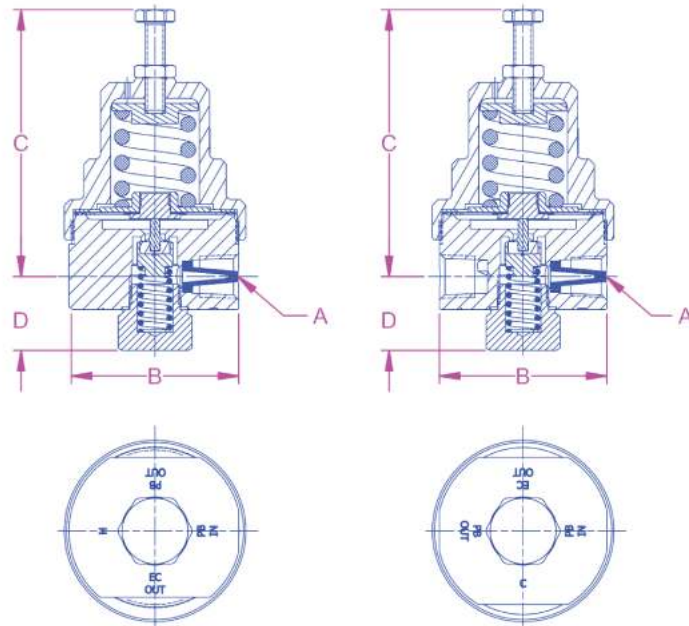
Body .....	Brass
Bonnet .....	Brass
Seat Disk .....	PTFE
Spring .....	Stainless Steel
Gasket .....	PTFE



CBH000125A

CBH Series

CBC Series



## Ordering Information

Part Number	Inlet/Outlet Connections (F.NPT)	"A"	"B"	"C"	"D"	Factory Pressure Setting (PSIG)	Operating Range (PSIG)
CBH000125A	1/4"	1/4"	2 1/16"	3"	1"	125	25-250
CBH000300A						300	150-350
CBH000325A						325	150-350
CBC000125A						125	25-250
CBC000300A						300	150-350
CBC000325A						325	150-350

**DMC** 多美時燃氣設備有限公司  
DMC GAS EQUIPMENT LIMITED

Address: Unit 11, 11/F, Tower One, Ever Gain Plaza, 88 Container Port Road, Kwai Chung, NT, Hong Kong

Website: www.dmc-gas.com Email: dmcsaleshk@dmc-gas.com.hk

Tel: +852 2851 2121

Fax: +852 2851 2129