

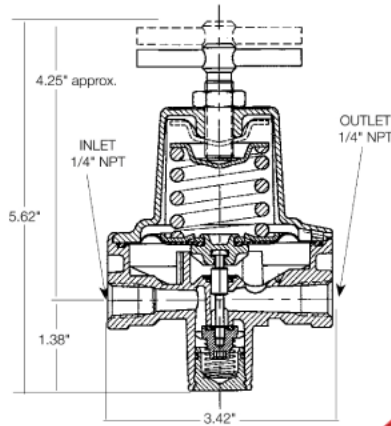
High Pressure Industrial / Commercial Pounds-to-Pounds Regulators 597F Series

Application

Designed to reduce propane gas container pressure down to between 3 and 100 PSIG. Ideal for liquid or vapor service, they can be used in a variety of applications including salamander heaters, weed burning torches, fish cookers, tar pot heaters, and other industrial type services.

Features

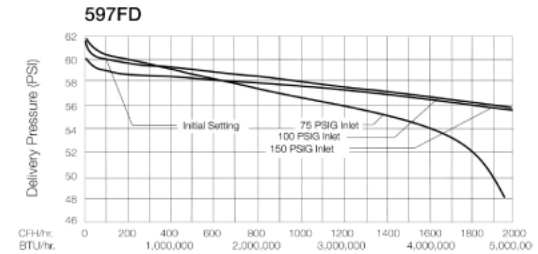
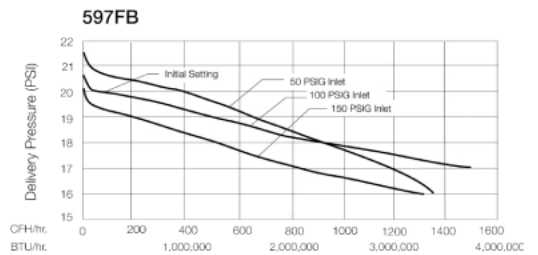
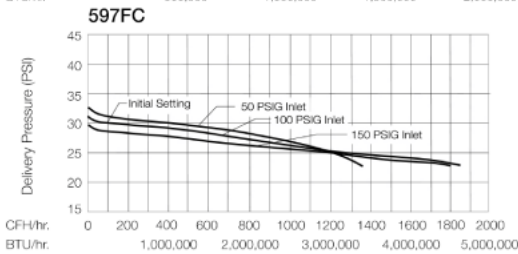
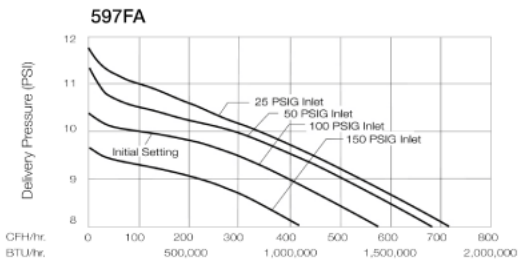
- Provides high capacity performance at a reasonable price.
- Suitable for both liquid and vapor service.
- Compact design provides for easy installation.
- Negative or indirect acting design provides for excellent performance when needed most – in cold weather, when tank pressures are lowest and system demands are highest.
- Consistent delivery pressure, especially in cold weather, helps assure maximum performance from the second stage regulator.
- Can be readily fitted with a pressure gauge in the 1/4" FNPT port.
- Molded diaphragm provides an o-ring like seal between the body and the bonnet.
- Fully painted in brilliant red for complete corrosion protection.
- Available in four adjustable ranges for maximum performance.
- Bonnet and body are assembled in the USA using the unique, patented RegULok™ Seal System.



Materials

Body	Zinc
Bonnet	Zinc
Springs	Steel
Valve Seat Discs	Resilient Rubber
Diaphragms	Integrated Fabric and Synthetic Rubber
Adjusting Screw	Brass

A



Ordering Information

Part Number	Adjustment Method	Inlet Connection	Outlet Connection	Recommended Delivery Pressure Range (PSIG)	Capacity Determined at Set Pressure of PSIG*	Capacity BTU/hr. Propane**
597FA	Tee Handle	1/4" NPT	1/4" NPT	1-15	10	1,750,000
597FB				10-30	20	3,000,000
597FC				20-45	30	3,500,000
597FD				40-100	40	4,500,000

* Set pressure established at 100 PSIG inlet and a flow of 250,000 BTU/hr.

** Capacity determined at actual delivery pressure 20% less than set pressure with inlet pressure 20 PSIG higher than the set pressure.

Address: Unit 11, 11/F, Tower One, Ever Gain Plaza, 88 Container Port Road, Kwai Chung, NT, Hong Kong

Website: www.dmc-gas.com Email: dmcsaleshk@dmc-gas.com.hk

Tel: +852 2851 2121

Fax: +852 2851 2129