

### Low Pressure Second Stage Regulators LV4403B66RA Series

#### Application

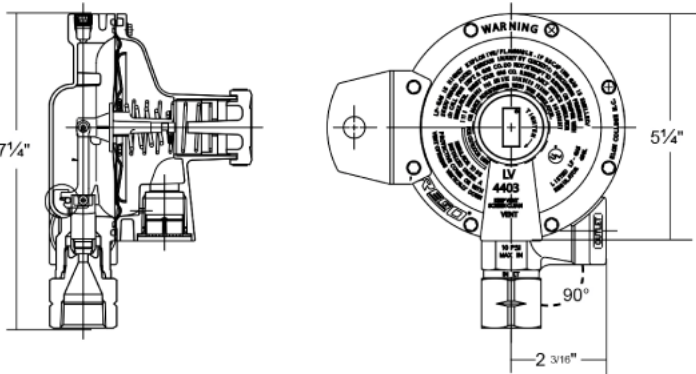
Designed to reduce first stage pressure of 5 to 20 PSIG down to burner pressure, normally 11" w.c. Ideal for medium commercial installations, vapor meter installations and normal domestic loads.

#### Features

- 90 degree right angle inlet to outer connection for meter or standard installations.
- Large vent helps to prevent blockage and has 3/4" F. NPT for vent piping.
- With 15 PSIG inlet pressure, regulator is designed to not pass more than 2 PSIG with the seat disc removed.
- Replaceable valve orifice and valve seat.
- Straight line valve closure reduces wear on seat disc
- Unique bonnet vent profile minimizes vent freeze over when properly installed.
- Large molded diaphragm is extra sensitive to pressure changes.
- Built in pressure tap has plugged 1/8" F. NPT outlet. Plug can be removed with a 3/16" hex allen wrench.
- Select Brown Finish

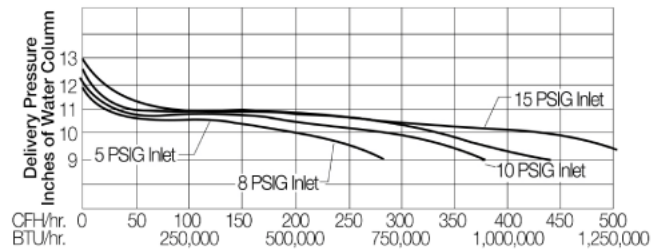
#### Right Angle Design

Can mount directly to vapor meter. It is also suitable for mounting directly to the house piping. It will retrofit into existing installations that are currently using a 90 degree, right angle regulator.



#### Materials

- Body ..... Die Cast Zinc
- Bonnet ..... Die Cast Zinc
- Nozzle Orifice ..... Brass
- Spring ..... Steel
- Valve Seat Disc ..... Resilient Rubber
- Diaphragm ..... Integrated Fabric and Synthetic Rubber



#### Ordering Information

Part Number	Inlet Connection	Outlet Connection	Orifice Size	Factory Delivery Pressure	Adjustment Range	Bonnet Vent Position	Vapor Capacity BTU/hr. Propane*
LV4403B66RA	3/4" F. NPT	3/4" F. NPT	3/16"	11" w.c. at 10 PSIG Inlet	9" to 13" w.c.	Over Inlet	1,000,000
LV4403B66RAB**							

\* Maximum flow is based on 10 PSIG inlet and 9" w.c. delivery pressure.  
\*\* Mounting Bracket Included.